

TRICONVILLE™

comforteck





**TRICONVILLE™**

# comforteck

Dedicated Comforteck teak stands the test of time for outdoor dining this season, and years after. Elegantly sloping arms and contoured back of this seating collection provides unparalleled comfort. This collection features folding chair, recliners, foot stools, stacking chairs and various dimensions of matching benches fitted with high quality #304 stainless steel fittings.

- ✓ Chairs
- Tables
- Sofas
- ✓ Benches
- ✓ Loungers & Others



## PRODUCT LIST ▾



Comforteck Folding Chair

**CTK-42** *page 03*



Comforteck Folding Arm Chair

**CTK-43** *page 04*



Comforteck Stacking Chair

**SCK-88** *page 05*



Comforteck Recliner

**RCK-52** *page 06*



Comforteck Bench 150

**BCK-153** *page 07*



Comforteck Bench 180

**BCK-183** *page 08*



Comforteck Foot Rest

**FT-52** *page 09*

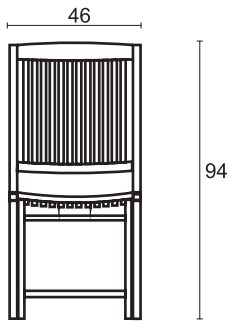
# CTK-42

## Comforteck Folding Chair

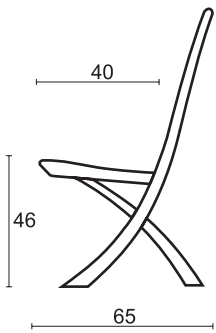


### DIMENSION

\* in centimeters



A front view



B side view

### MATERIALS



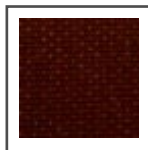
PREMIUM TEAK  
mainframe



FABRICS OPTION 1:

**XYLUM™**  
Premium Outdoor Fabric

- |            |           |
|------------|-----------|
| Khaki      | Black     |
| Dark Grey  | Chocolate |
| Light Grey | Maroon    |
| Natural    |           |



FABRICS OPTION 2:

**sunbrella™**

- |           |           |
|-----------|-----------|
| 5409-0000 | 5422-0000 |
| 5408-0000 | 5432-0000 |
| 5453-0000 |           |

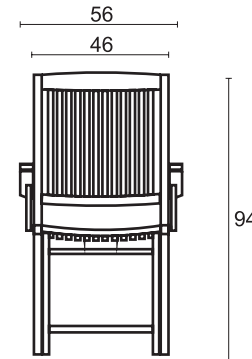
# CTK-43

## Comforteck Folding Arm Chair

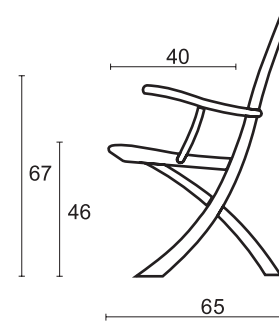


### DIMENSION

\* in centimeters



A front view



B side view

### MATERIALS



PREMIUM TEAK  
mainframe



FABRICS OPTION 1:

**XYLUM™**  
Premium Outdoor Fabric

- |            |           |
|------------|-----------|
| Khaki      | Black     |
| Dark Grey  | Chocolate |
| Light Grey | Maroon    |
| Natural    |           |



FABRICS OPTION 2:

**sunbrella™**

- |           |           |
|-----------|-----------|
| 5409-0000 | 5422-0000 |
| 5408-0000 | 5432-0000 |
| 5453-0000 |           |

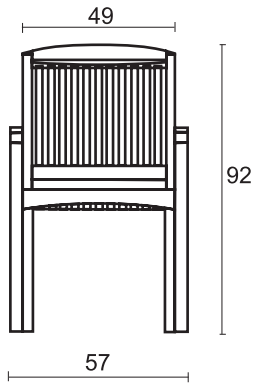
# SCK-88

## Comforteck Stacking Chair

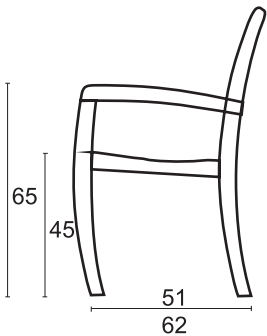


### DIMENSION

\* in centimeters



A front view



B side view

### MATERIALS



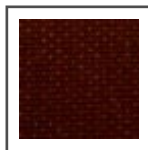
PREMIUM TEAK  
mainframe



FABRICS OPTION 1:

**XYLUM™**  
Premium Outdoor Fabric

- |              |             |
|--------------|-------------|
| ■ Khaki      | ■ Black     |
| ■ Dark Grey  | ■ Chocolate |
| ■ Light Grey | ■ Maroon    |
| ■ Natural    |             |



FABRICS OPTION 2:

**sunbrella™**

- |             |             |
|-------------|-------------|
| ■ 5409-0000 | ■ 5422-0000 |
| ■ 5408-0000 | ■ 5432-0000 |
| ■ 5453-0000 |             |

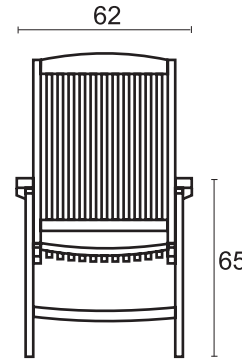
# RCK-52

## Comforteck Recliner

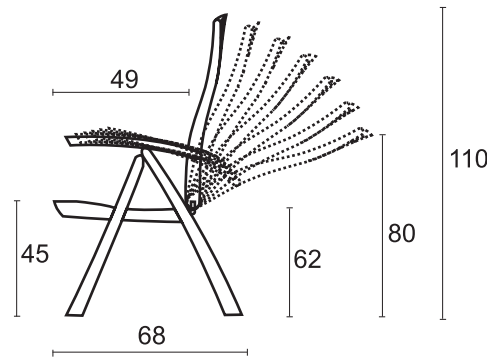


### DIMENSION

\* in centimeters



A front view



B side view

### MATERIALS



PREMIUM TEAK  
mainframe



FABRICS OPTION 1:

**XYLUM™**  
Premium Outdoor Fabric

- |              |             |
|--------------|-------------|
| ■ Khaki      | ■ Black     |
| ■ Dark Grey  | ■ Chocolate |
| ■ Light Grey | ■ Maroon    |
| ■ Natural    |             |



FABRICS OPTION 2:

**sunbrella™**

- |             |             |
|-------------|-------------|
| ■ 5409-0000 | ■ 5422-0000 |
| ■ 5408-0000 | ■ 5432-0000 |
| ■ 5453-0000 |             |

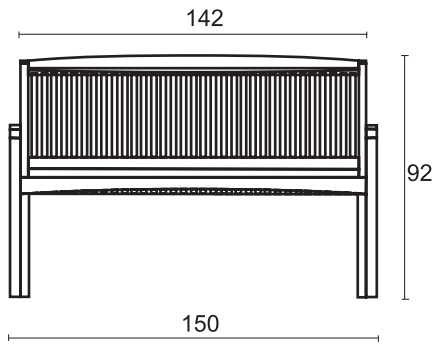
# BCK-153

## Comforteck Bench 150

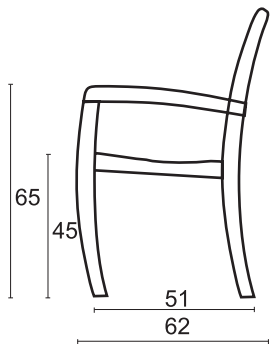


### DIMENSION

\* in centimeters



A front view



B side view

### MATERIALS



PREMIUM TEAK  
mainframe



FABRICS OPTION 1:

**XYLUM™**  
Premium Outdoor Fabric

- |            |           |
|------------|-----------|
| Khaki      | Black     |
| Dark Grey  | Chocolate |
| Light Grey | Maroon    |
| Natural    |           |



FABRICS OPTION 2:

**sunbrella™**

- |           |           |
|-----------|-----------|
| 5409-0000 | 5422-0000 |
| 5408-0000 | 5432-0000 |
| 5453-0000 |           |

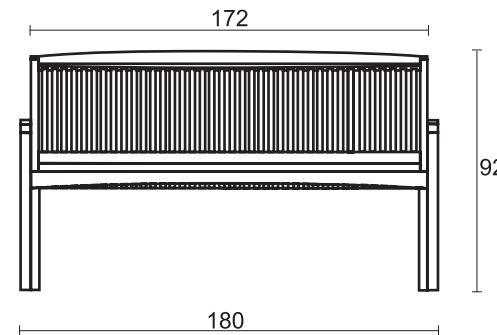
# BCK-183

## Comforteck Bench 180

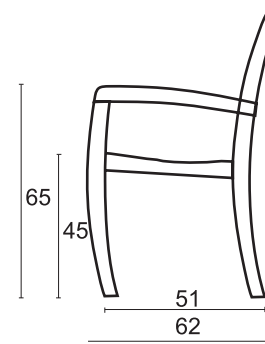


### DIMENSION

\* in centimeters



A front view



B side view

### MATERIALS



PREMIUM TEAK  
mainframe



FABRICS OPTION 1:

**XYLUM™**  
Premium Outdoor Fabric

- |            |           |
|------------|-----------|
| Khaki      | Black     |
| Dark Grey  | Chocolate |
| Light Grey | Maroon    |
| Natural    |           |



FABRICS OPTION 2:

**sunbrella™**

- |           |           |
|-----------|-----------|
| 5409-0000 | 5422-0000 |
| 5408-0000 | 5432-0000 |
| 5453-0000 |           |

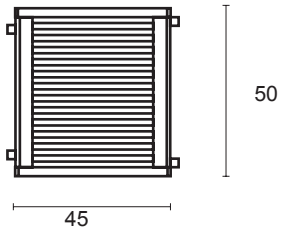
# FT-52

## Comforteck Foot Rest

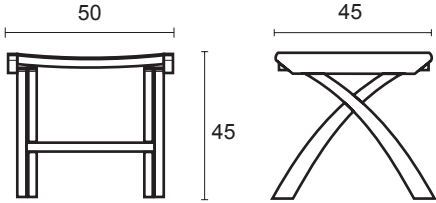


### DIMENSION

\* in centimeters



A top view



B side view

### MATERIALS



PREMIUM TEAK  
mainframe



FABRICS OPTION 1:  
**XYLUM™**  
Premium Outdoor Fabric

- Khaki
- Dark Grey
- Light Grey
- Natural
- Black
- Chocolate
- Maroon



FABRICS OPTION 2:

- 5409-0000
- 5408-0000
- 5453-0000
- 5422-0000
- 5432-0000

**TRICONVILLE™**  
**comforteck**