

TRICONVILLE™

arno





 **TRICONVILLE™**

arno

An ultra-modern patio dining chair for contemporary and modern homes which has a distinctive characteristic due to high quality materials and superb craftsmanship. This chair is crafted with high quality kiln dried teakwood, VIRO® synthetic wicker and stainless steel frame. Modern in design though practical in comfort. The stackable feature of this outdoor chair gives it easy storage option. The chair comes in teak and wicker version.

- Chairs
- Tables
- Sofas
- Benches
- Loungers & Others



PRODUCT LIST ▾



Arno-
Teak Stacking Chair
TRC-03T *page 03*



Arno-
Wicker Stacking Chair
TRC-03 *page 04*

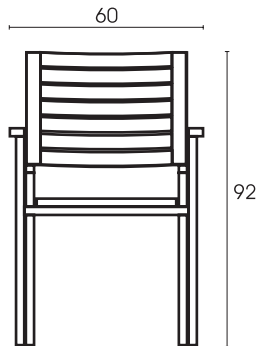
TRC-03T

Arno- Teak Stacking Chair

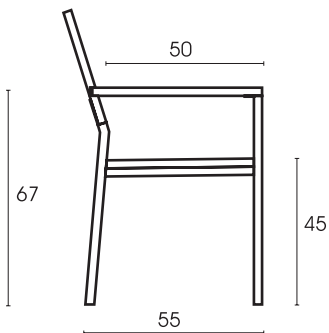


DIMENSION

* in centimeters



A front view



B side view

MATERIALS



PREMIUM TEAK
arms, backrest and seat



STAINLESS STEEL
mainframe

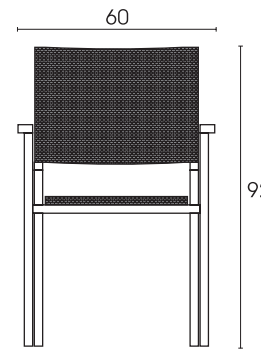
TRC-03

Arno- Wicker Stacking Chair

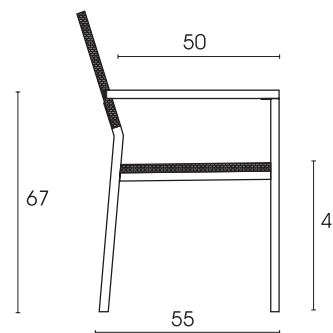


DIMENSION

* in centimeters



A front view



B side view

MATERIALS



PREMIUM TEAK
arms



STAINLESS STEEL
mainframe



ALL-WEATHER WICKER
strap (flat wicker) in 1:1
weaving style. Available in
3 colors option:

White

Dark Bronze

Dark Mahogany